



- Model 225 — Recessed
- Model 225-10 — Semi-Recessed (recesses 4"; projects 3½")
- Model 225-11 — Surface-Mounted (projects 7½")
- Standard Series — Satin Finish

**Product Materials**

**CABINET:** 22 gauge stainless steel with exposed surfaces in architectural satin finish. Welded construction with seamless corners and burr-free edges.

**FLANGE:** 22 gauge stainless steel with exposed surfaces in architectural satin finish. One piece seamless construction, 1" wide with ¼" return.

**DOORS:** 18 gauge stainless steel. Warp resistant, with full length piano hinge and tumbler lock keyed like other Bradley units.

**TOWEL DISPENSER:** 22 gauge stainless steel. Rolled edge on dispenser opening.

**WASTE RECEPTACLE INSERT:** leakproof molded plastic.

**PUSH FLAP DOOR (optional):** 22 gauge stainless steel with exposed surfaces in architectural satin finish. Heavy duty stainless steel piano hinge. Self-closing flap door is embossed "PUSH."

**Capacity**

Towel Dispenser — 1000 single-fold, 800 multi-fold or 600 C-fold paper towels. Waste Receptacle Insert — 9.2 gal. (1.24 cu. ft.)

**Operation**

Towel dispenser holds single-fold, multi-fold or C-fold towels without use of special adaptor. Waste receptacle insert removable by unlocking receptacle door.

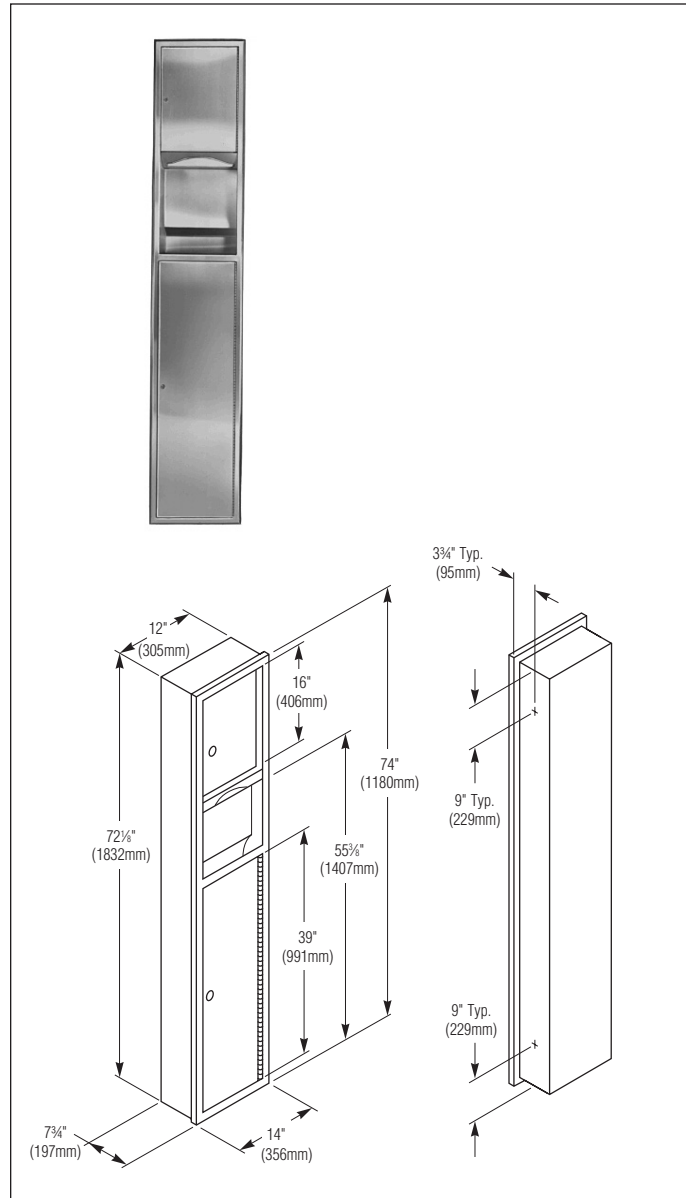
**Installation**

Verify all rough-in dimensions prior to installation. Recessed unit requires rough wall opening 12½"W x 72¾"H x 7¾"D (Semi-recessed unit only 4" deep). Secure to framing with mounting screws (included) at holes provided. Shim at screw points as required. Surface-mounted units must have holes drilled by installer.

**Guide Specification**

Recessed combination towel dispenser and waste receptacle shall be fabricated of 22 gauge stainless steel with exposed surfaces in satin finish and burr-free edges. Doors of nonflexing construction, equipped with full length piano hinges and tumbler locks. Towel dispenser capacity 1000 single-fold, 800 multi-fold or 600 C-fold towels. Removable 9.2 gal. leakproof molded plastic insert for waste receptacle.

**Overall dimensions: 14"W x 74"H x 7¾"D.**



**Optional Features**

Feature	Suffix
<input type="checkbox"/> Self-closing push-flap door	-35

**Washroom Accessories  
Document No. 8080**